

The oBidua OXYAIR Range

Compressor-less Air Conditioning & Purification Solutions



Presenting
oxyair-1.0

www.obidua.io

obiduatechnology@gmail.com



The New INVENTION

The OXYAIR features clean lines in a contemporary, eye-catching style that will complement any décor with and no sight of an outdoor condenser and compressor it makes the unit ideal for hotel rooms, restaurants and many other hospitality applications.



Packaged Technology

The need for air conditioning today is present winter and summer. All too often this means installing unsightly condensing units on the exterior of buildings.

The OXYAIR is a packaged solution which removes the need for an outdoor unit, and incorporates state of

the art "Thermostatic" technology. The OXYAIR also does not require a Professional certified engineer to install saving you as significant amount on installation costs.

Standard Models

(all models are WiFi enabled)

- OXYAIR 1.0 – 12V DC Input (Covered area 100-150sqft)
 1. with Air Purifier filter called HEPA
 2. Input 12V DC with Power backup option up-to 30 minutes (with Battery without Battery optional)
 3. Bright 50 LED Panel for Emergency Light up-to 5 hour backup auto on-off during no power input .
 4. Remote Controller for control cooling or Heating
 5. Touch Control Panel for manual Controlling
 6. Wi-Fi Port for controlling Device form Smart Phone.
 7. Two Dimension Air flow for batter performance
 8. Silence cooling

Upcoming Product

- OXYWATCH (a hand wearable watch for outdoor use with body temperature controller .
- OXYPOWER (Generate Electricity wherever you are from Body Temperature, ICE and Fire

Installer Benefits

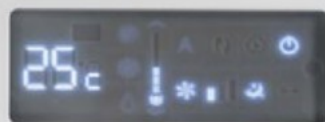
- No external Compressor required
- Quick and simple installation
- No re-decoration costs
- Supplied with standard BS plug top
- No requirement for internal and external pipework
- Easy maintenance access



12V DC input

TYPICAL APPLICATIONS

- Hotels
- Offices
- Restaurants
- Garden buildings
- Portable buildings
- Apartments
- Domestic houses
- Listed buildings



No Outdoor Compressor

The OXYAIR requires no external condenser, saving you costs on Electricity ,installation and improving the aesthetic appearance of your building condensate pipe hole reduces the outdoor impact of air conditioning systems and seamlessly integrates into any exterior building design. As a result, there is minimum impact on the building's exterior and complies with many regulations on listed buildings.

Heating Or Cooling Options

Each OXYAIR model has the ability to heat and cool your building from -2°C to 31°C

The OXYAIR has lowering performances in heating when outdoor temperature is falling where the heat pump is integrated (and not replaced) by a

electrical resistance that intervenes automatically when outdoor temperature become extremely low.

WiFi Enabled Control

The easy to use app displays current temperature settings and allows the user to change temperature, fan speed, and air flow direction from anywhere at a touch of a button.

In applications such as hotel buildings, the reception desk can activate, control, and deactivate each unit in every room depending on the

occupancy. They can warm up or cool down the room before hotel guests arrive, and ensure the units are switched off when the room is unoccupied saving valuable energy consumption.

Retro- Fit Installation

The OXYAIR can be retrofitted into many applications where there is a current A/C system. With no requirement for an external condenser, and extensive pipework, upgrading an existing split air conditioning system is simple.

Application Flexibility

The installation is easy due to the no standard core drill bit required to make the holes. The OXYAIR can be installed on any internal wall, or make it simple table top either at a low or high position. All that is required for the installation (template, supporting bracket) is contained in the carton box ready to install. All that is required to be provided by the installer is the drilling machine and core bit.

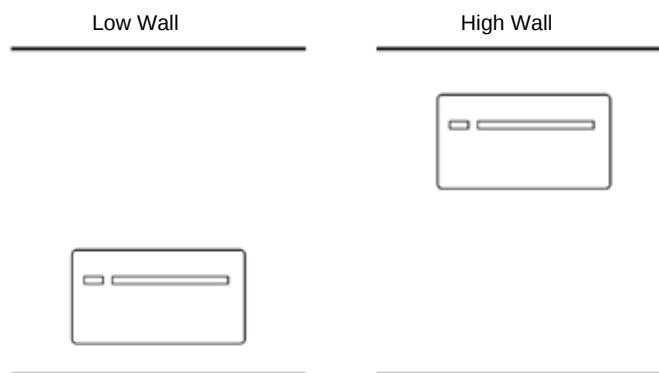
PRODUCT BENEFITS

- No requirement for an external compressor
- Ability to both heat and cool
- WiFi enabled control
- Touchscreen & remote control
- 16°C to 31°C temperature range
- Programmable timer control

OXYAIR 1.0 (2018 New Design)

The 2018 OXYAIR 1.0 has been designed with a smooth curved shell and now incorporates a full metal body to give it a more solid and consistent performance eliminating all plastic parts in its construction.

The unit employs new techniques and technology to precisely follow the curves of the design, all the way to the elegantly rounded corners. The smooth, polished white PPC finish allows the unit to fully complement any room decor and design.



The OXYAIR is a simple single unit of Indoor air conditioner & heat pump that removes the need for an outdoor unit. The OXYAIR requires no external condenser, saving you costs on installation and improving the aesthetic appearance of your building. The 160mm twin duct, and a 14mm condensate pipe hole reduce the outdoor impact of air conditioning systems and seamlessly integrate into any exterior building design.

To assist hoteliers with air conditioning control, OBIDUA have introduced Wi-Fi Control which lets you control multiple units from your smart-phone device or tablet via your local Wi-Fi network, the OXYAIR is by far the slimmest unit in this category of product.

The OXYAIR features clean lines in a contemporary, eye-catching style that will complement any décor with and no sight of an outdoor condenser and compressor it makes the unit ideal for hotel rooms, restaurants and many other hospitality applications.

The unit can be controlled 4 different ways depending on your requirements. Besides the newly enlarged remote control, the on-board control allows the user to set any possible function, including a "lock" position to avoid un-proper use and weekly scheduling.

The mobile APP allows the management of the unit from remote positions through WIFI such as a hotel reception desk controlling multiple units from one location.

There is also the ability to have a individual hard-wired controller which can be mounted near the unit if required.



Integrated Touch Screen



Remote Touch Screen (hard-wired)



Remote Control



IOS or Android App



Mobile App Control

The OXYAIR WiFi mobile app now lets you control multiple units from your smartphone device or tablet via your local WiFi network.

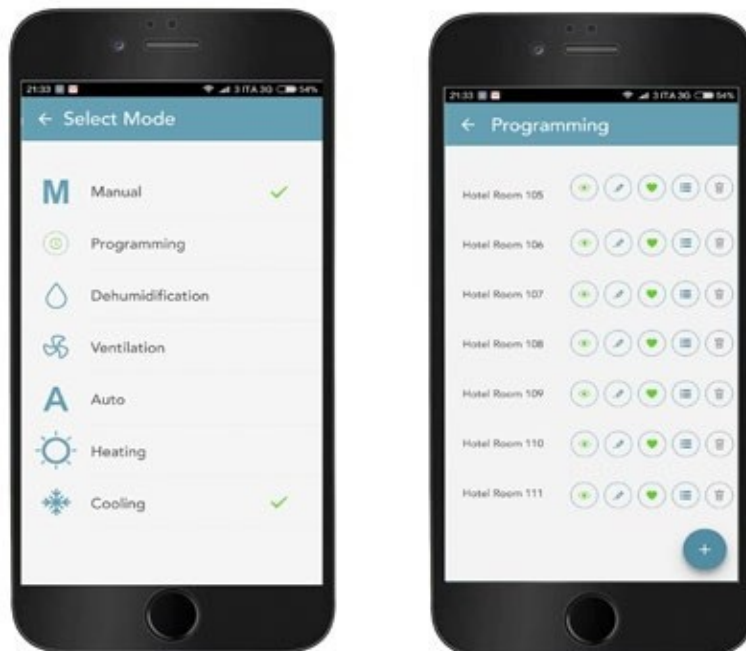
The easy to use app displays current temperature settings and allows the user to change temperature, fan speed, and air flow direction from anywhere at a touch of a button.

In applications such as hotel buildings, the reception desk can activate, control, and deactivate each unit in every room depending on the occupancy.

They can warm up or cool down the room before hotel guests arrive, and ensure the units

are switched off when the room is unoccupied saving valuable energy consumption. Building owners can also utilise the weekly scheduling function to quickly and efficiently set desired

settings for the whole



Download The Mobile App (oxyair1.0)





Air Movement

Warm or cold internal air is efficiently distributed via the independent oscillating vane at the front of the unit by internal evaporator fan dependent on the desired room temperature

requirement. The conditioned air is then returned to the room to provide comfort cooling or reverse cycle heating.

Outdoor air is drawn in via the external inlet grille which cools the hot condenser in cooling mode, this in turn provides ambient heat to the condenser coil when reverse cycle heating mode.



Energy Efficiency

Thanks to DC Peltier Thermostatic technology, capacities are optimised so to have the best comfort with the lowest power consumption and noise.

Thanks to the Dual Power feature it is possible to select the highest

capacity so to reach the requested temperature as soon as possible. Once reached the set temperature the OXYAIR will automatically set the comfort function.

Dual Power Cooling (OXYAIR1.0)

Dual Power Heating (OXYAIR1.0)

Typical Room Coverage

(General guide only)

This is a guide and is intended to provide general information only. Factors such as building fabric, and orientation will significantly contribute to the selection. OBIDUA strongly recommends you contact our sales team for accurate product selection and sizing.

5x3 = 15m²

6x4 = 24m²

2.3kW

3.1kW

Maintenance

Maintenance is simple with every OXYAIR model. The opening grille panel on the top can be detached and the units filters are easily accessible for cleaning and maintenance. With very little moving parts, the packaged unit limits maintenance contracts which is backed up with a comprehensive range of replacement parts at our warehouse.

Specialist Project Units (minimum order quantity of 50)

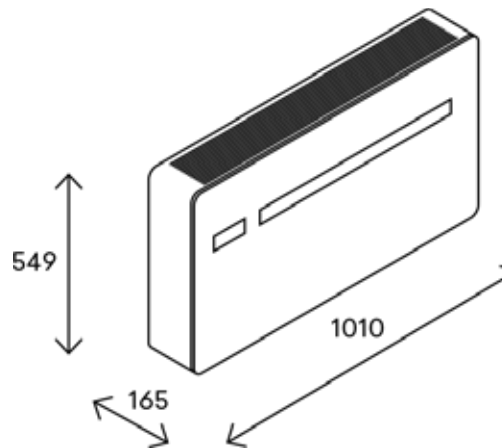
OXYAIR1.1 Marinised Model



**SPECIAL
ORDER
ONLY**

All components near sea are exposed to corrosive, salty air and must meet special structural requirements. The OXYAIRDWM is a full protected air conditioning unit utilising a copper/ copper condenser and evaporator coil, stainless steel chassis, cabinet and assembly components, to, prolong the life of the unit in harsh saline conditions make the Marinised OXYAIRperfect for coastal and high ambient tropical conditioners.

Dimensions



Contact for more info –

OBIDUA Technology (OPC) Pvt. Ltd.
obiduatechnology@gmail.com